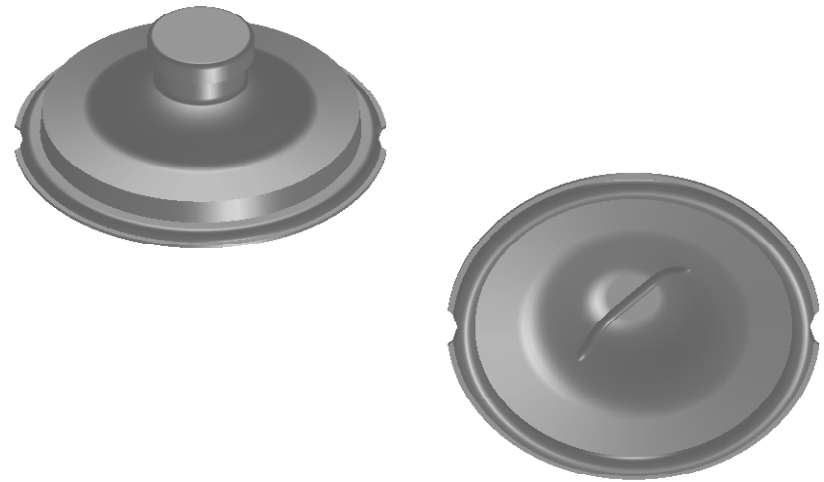
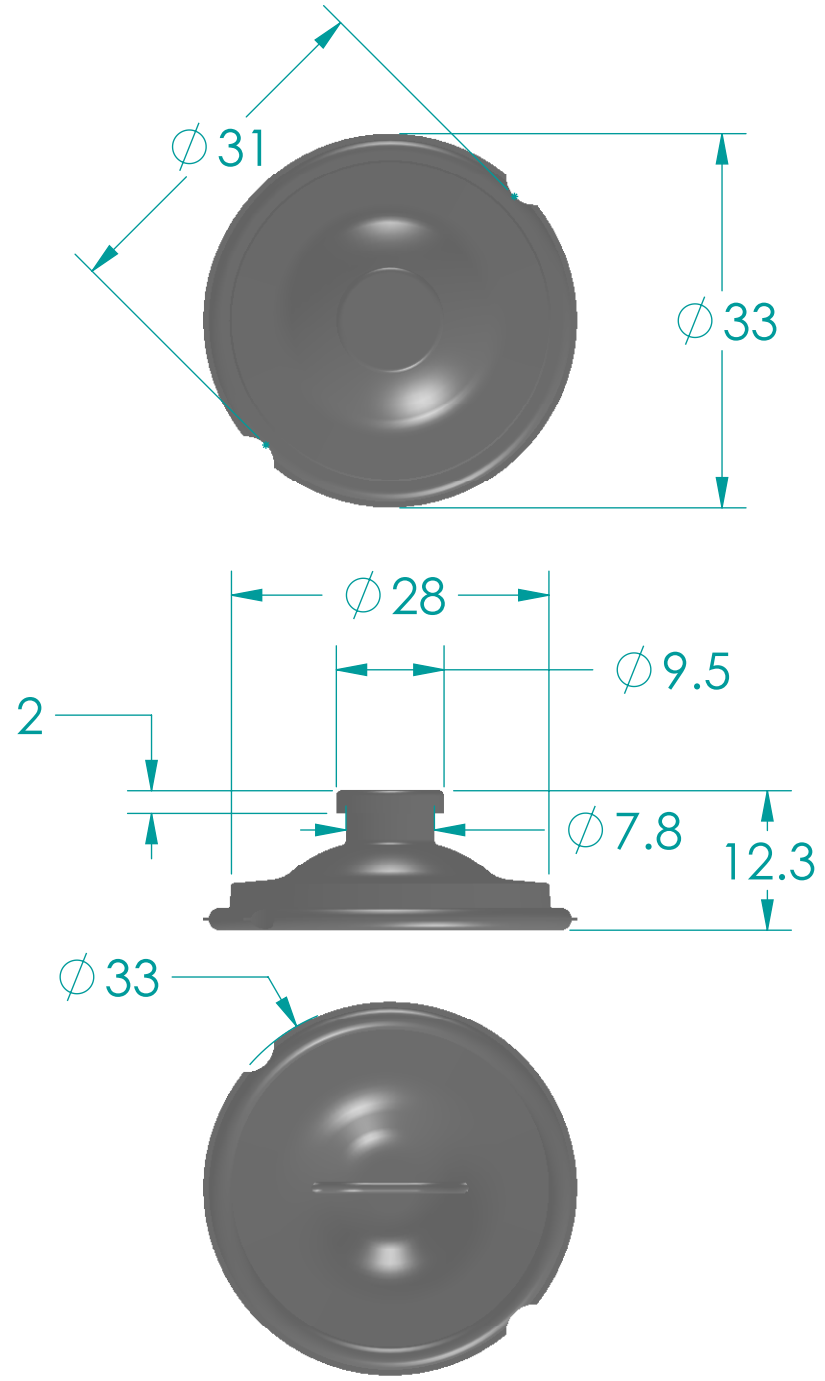


## Revision History

Rev	Description	Date	Approved
D	New Drawing & OEM No.	22/03/22	JB



**Replacement Diaphragm for:-**  
**OEM PART NUMBER = DA008E2**  
**USED ON 1/4" (DN8) Diaphragm Valve**

	Name	Date	<b>DIAPHRAGM DIRECT</b>	
Drawn	M.Mc Keon	09/03/22		
Checked				
<b>Material - EPDM</b> Complies with CFR 177.2600 and Conforms to USP Class VI Biological Reactivity Tests Section #87 and #88			TITLE <b style="color: teal;">DD01-SE7R</b>	
Size A	FOOT PRINT DIMENSIONS		Rev D	
File: DD01-SE7R-RevD				
SCALE: 3:2 mm		Job: 48	Sheet 1 of 1	

Disclaimer - Diaphragm Direct® does not manufacture, represent, nor sell OEM valves or diaphragms manufactured by any other company. Diaphragm Direct® brand diaphragms are not sponsored by any other manufacturers. Any name, model, part number, brand, image, material or referral is for descriptive purposes only. Diaphragm Direct® brand replacement diaphragms are guaranteed to fit OEM equipment and meet or exceed OEM specifications. Diaphragm Direct® brand replacement diaphragms are covered by the standard Diaphragm Direct® limited product warranty.